

SIMONSWERK

BAKA®

butt hinge H 140

for unrebated timber door leaves (Berliner hinge)

hinge

Technical details

knuckle length	140,0 mm
h x b frame leaf	70,0 x 36,0 mm
material thickness	2,5 mm
screws	5,0 x 50,0 mm
h x b door leaf	70,0 x 33,0 mm
pin diameter	10,0 mm

Note

Version with loose pin and level straps.

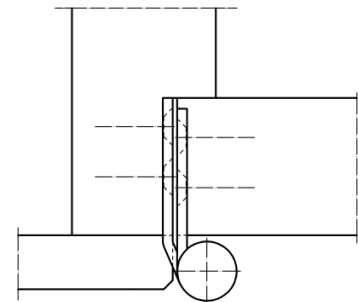
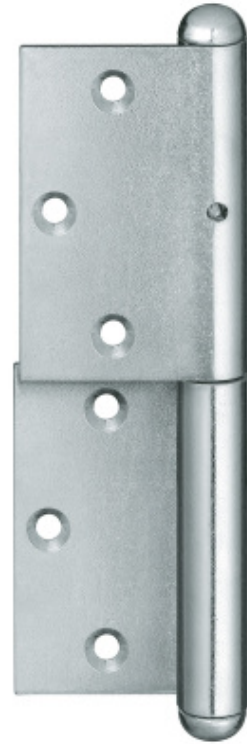
Use of washers or ball bearings obligatory. These are not included in the delivery.

Combination

accessories	iron washer 10 mm
	brass washer 10 mm
	ball bearing 10 mm

Items (DIN reference: DIN right and left hand)

Finish(es)	galvanised
packing unit	pack of 10
item number	5 130601 0 01006



cross section