

SIMONSWERK

BAKA®

butt hinge Q 1/140

for unrebated timber door leaves

hinge

Technical details

knuckle length	140,0 mm
h x b frame leaf	140,0 x 32,0 mm
material thickness	2,5 mm
screws	5,0 x 50,0 mm
h x b door leaf	140,0 x 32,0 mm
pin diameter	10,0 mm

Note

Version with fixed pin and central straps.

Please consider DIN reference.

Items (DIN reference: DIN left hand)

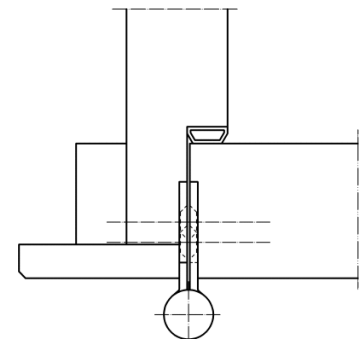
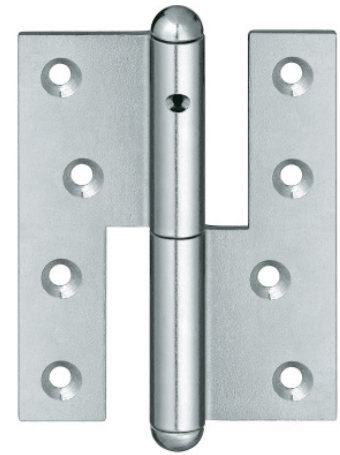
Finish(es)	galvanised
packing unit	pack of 10
item number	5 130624 2 01006

Finish(es)	nickelled
packing unit	pack of 10
item number	5 130624 2 01506

Items (DIN reference: DIN right hand)

Finish(es)	galvanised
packing unit	pack of 10
item number	5 130624 1 01006

Finish(es)	nickelled
packing unit	pack of 10
item number	5 130624 1 01506



cross section