

SIMONSWERK

BAKA®

butt hinge QR 70

for unrebated timber door leaves

hinge

Technical details

knuckle length	70,0 mm
h x b frame leaf	70,0 x 32,0 mm
material thickness	2,35 mm
screws	5,0 x 50,0 mm
h x b door leaf	70,0 x 32,0 mm
pin diameter	10,0 mm

Note

Version with fixed pin and central straps.

Please consider DIN reference.

installation tools

universal milling frame
template 5 250367 5

Items (DIN reference: DIN left hand)

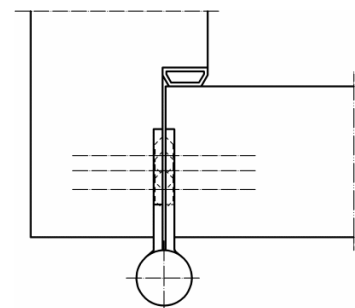
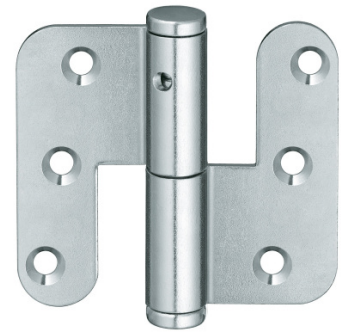
Finish(es)	galvanised
packing unit	pack of 20
item number	5 130642 2 01007

Finish(es)	nickelled
packing unit	pack of 20
item number	5 130642 2 01507

Items (DIN reference: DIN right hand)

Finish(es)	galvanised
packing unit	pack of 20
item number	5 130642 1 01007

Finish(es)	nickelled
packing unit	pack of 20
item number	5 130642 1 01507



cross section