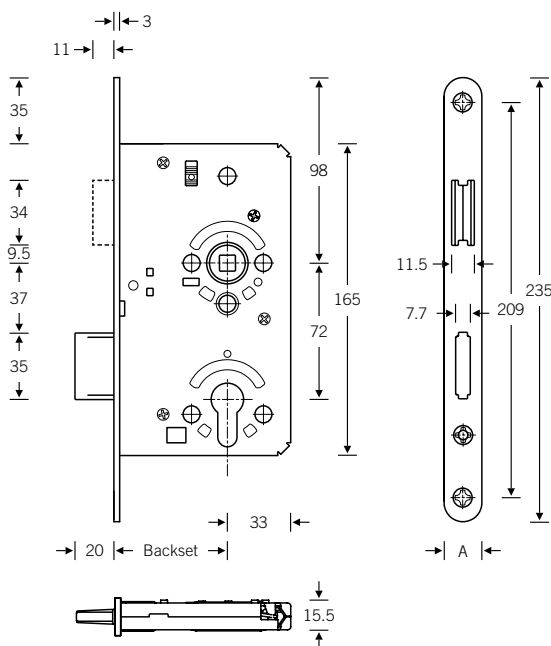


# Mortice lock with magnetic latch bolt



## Series MG 50

with magnetic latch bolt for flush doors, centre variant



- self-tightening follower in galvanised steel
- polyamide follower bearing
- latch bolt in black plastic
- double-throw steel dead bolt, bolt head as a nickel-plated casting
- lock case wholly enclosed, galvanised
- chip guards around lever handles and above follower
- latch bolt flush with forend when door is open
- when door is closed, the latch bolt is caused to shoot into the striking plate by magnet
- low-noise closure, since the latch bolt cannot strike against the frame profile
- flush-fitting, high-quality visuals

Mortice lock with magnetic latch bolt		MG
Series 50		50
PC 2-throw with latch retraction		PZW
WC variant		WC
WL variant + 1 key		BB
latch lock without dead bolt		FS
Flat forend	rounded edged	FR FK
Forend width	20 mm 24 mm 18 mm 22 mm	20 24 18 22
Forend length	235 mm	235
Backset	55 mm 65 mm 50 mm 60 mm 70 mm 80 mm 100 mm	55 65 50 60 70 80 100
Centres	72 mm PZ, BB 74 mm RZ 78 mm WC	72 74 78
Follower	8 mm □ 9 mm □ 10 mm □	08 09 10
Forend material	Stainless Steel AISI 304 Bronze Brass	EST BZ MS
Finish	white lacquered, incl. white latch black lacquered, incl. black latch	white black

Classification code to EN 12 209:  
1 H 8 0 0 C 3 B C 2 0

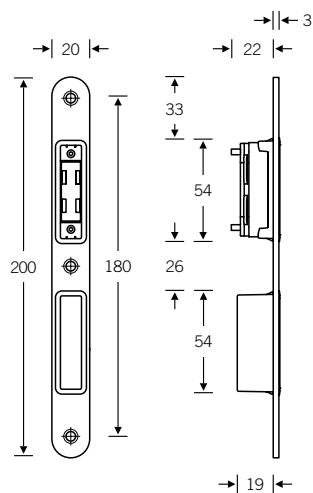
## Striking Plate

for magnetic lock MG 50

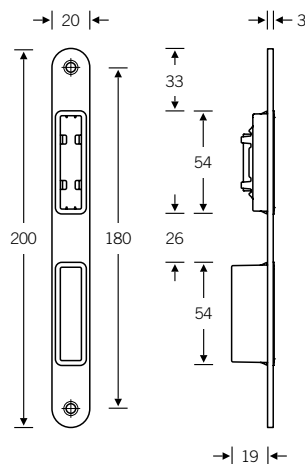


- dimensions 200 mm × 20 mm × 3 mm, round ends
- inlays in black plastic
- inlays for latch bolt with back-magnet, optionally adjustable
- inlay for double-throw dead bolt
- other dimensions and materials to order

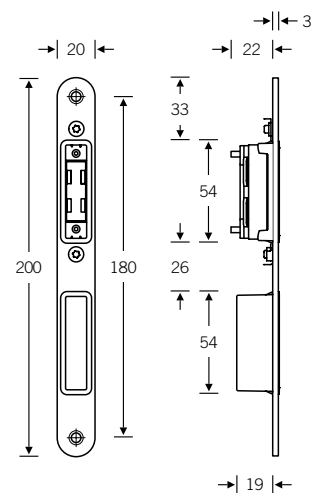
Striking plate for magnetic lock MG 50	MG 50-SBL	
SBL-width	20 mm 24 mm	20 24
Shape	rounded squared	R K
Fixing holes	2 (without centered borehole) 3	2 3
Latch-bolt inlay	non-adjustable adjustable (4 mm)	FEV
Inlay for latch sideways adjustable ± 1,5 mm	non-adjustable sideways adjustable	SV
For latchlocks	without cutout for deadbolt	ORD
Short version	120 mm long	short
SBL material	Stainless Steel 1.4301 Bronze Brass	EST BZ MS
Finish	white lacquered, incl. white inlays for latch and deadbolt black lacquered, incl. black inlays for latch and deadbolt	white black



Striking plate with adjustable latch-bolt inlays (adjustable with a 2 mm Allen key)



Striking plate with non adjustable latch-bolt inlays



Doubly adjustable inlay for latch