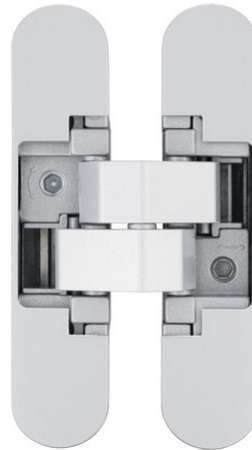


**ANSELMi - AN 160 3D****AN 160 3D**

for unrebated residential doors up to 60 kg

**Product features**

- completely concealed hinge system
- for timber and aluminium frames
- for unrebated residential doors
- 3D adjustment (side +/- 1,5 mm, height +/- 2,5 mm, compression +/- 1,0 mm)
- material zamak

**Technical data**

Property	Value
Load capacity	60,0 kg
Overall length	110,0 mm
Width (door part)	24,0 mm
Width (frame part)	24,0 mm
Cutter diameter	16,0 mm
Collar ring diameter	27,0 mm
Opening angle	180°

**Notes**

The load capacity mentioned above refers to the use

**Quality marks**

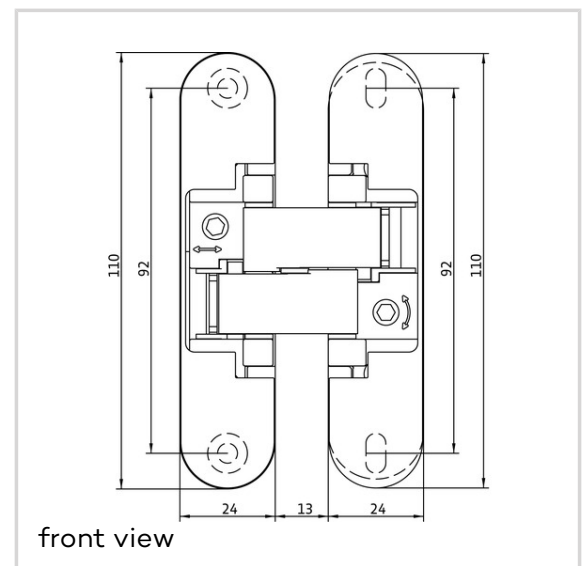
CE certification



IFT certification



UL certification



## ANSELMI - AN 160 3D

of 2 hinges per door leaf (900 x 2100 mm).

Suggested screws: Frame side: Countersunk head screws DIN 7505 A, Diameter 4,5 mm Door side: Pan head screws DIN 7505 B, Diameter 4,5 mm

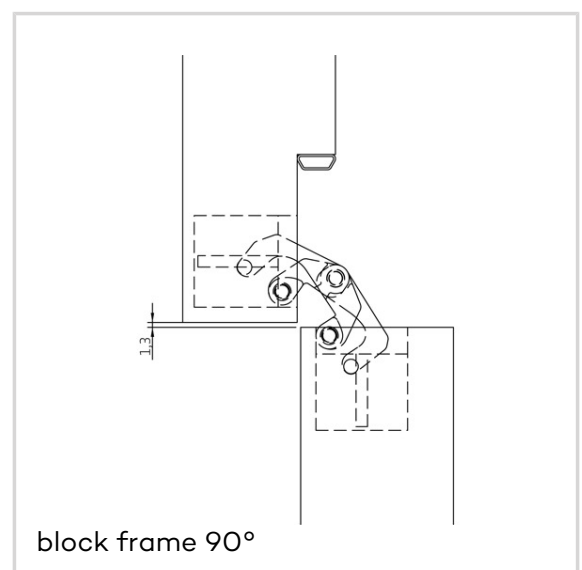
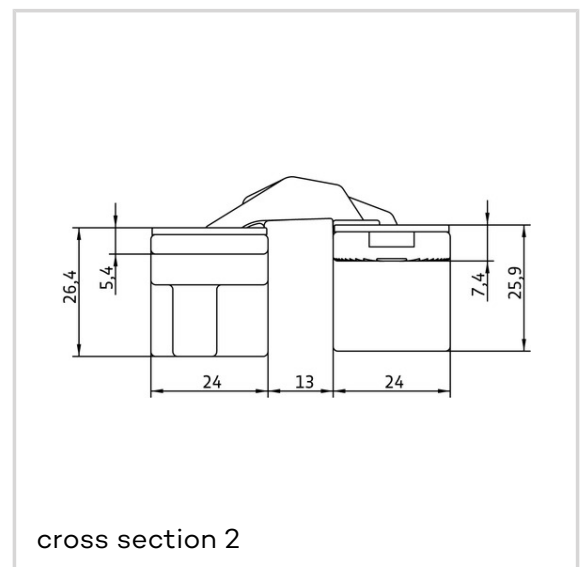
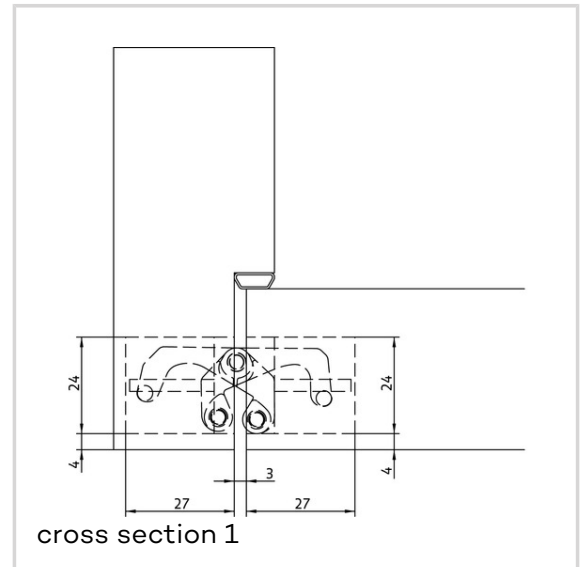
Alternatively, the routing can be carried out with a cutter diameter of 14,0 mm and a collar ring diameter of 25,0 mm.

### Combinations

AN 107 3D C40  
AN 107 3D C60  
AN 108 3D SC45  
AN 140 3D FZ

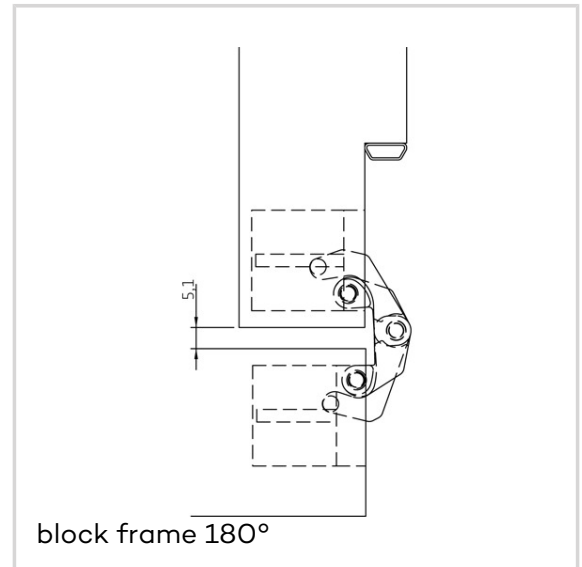
### Item versions

Finish	Rustic Umber (AN 012)
VPE	pack of 2
DIN	DIN right and left hand
EAN	8054608707733
Finish	Satin Chrome (AN 014)
VPE	pack of 2
DIN	DIN right and left hand
EAN	8054608707740
Finish	Light Bronze (AN 016)
VPE	pack of 2
DIN	DIN right and left hand
EAN	8054608707764
Finish	Black (AN 018)
VPE	pack of 2
DIN	DIN right and left hand
EAN	8054608707788
Finish	Antique Bronze (AN 035)
VPE	pack of 2
DIN	DIN right and left hand



**ANSELMI - AN 160 3D**

EAN	8054608707795
Finish	Aluminium Chrome (AN 036)
VPE	pack of 2
DIN	DIN right and left hand
EAN	8054608707801
Finish	Polished Brass (AN 037)
VPE	pack of 2
DIN	DIN right and left hand
EAN	8054608707818
Finish	Polished Chrome (AN 039)
VPE	pack of 2
DIN	DIN right and left hand
EAN	8054608707825
Finish	Satin Nickel (AN 044)
VPE	pack of 2
DIN	DIN right and left hand
EAN	8054608707832
Finish	RAL 9016 Traffic White (AN 049)
VPE	pack of 2
DIN	DIN right and left hand
EAN	8054608707849
Finish	Anthracite (AN 050)
VPE	pack of 2
DIN	DIN right and left hand
EAN	8054608708969
Finish	Medium Bronze (AN 051)
VPE	pack of 2
DIN	DIN right and left hand
EAN	8054608708976
Finish	Copper (AN 052)
VPE	pack of 2
DIN	DIN right and left hand
EAN	8054608708983



---

**ANSELMi - AN 160 3D**