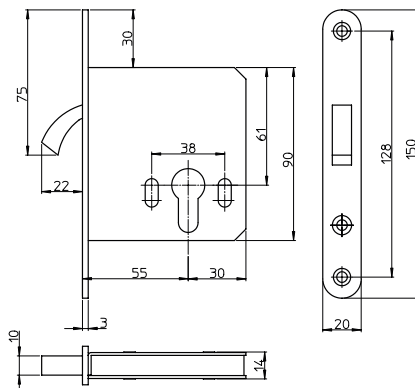
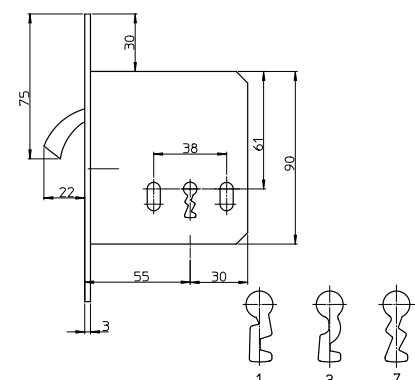


# Product line 71

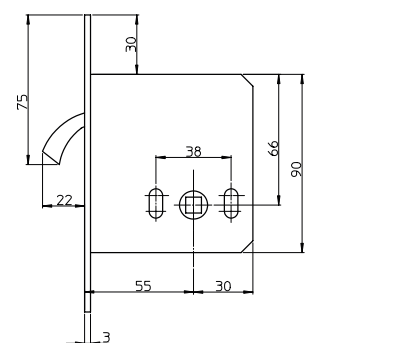
## Mortice lock for sliding doors with hook bolt



Classification code according to EN 12 209										
3	C	-	0	0	A	3	C	A	2	0

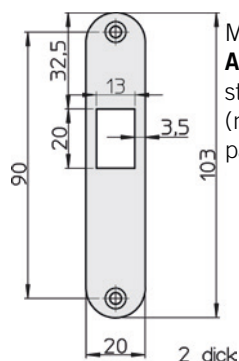


Classification code according to EN 12 209										
3	C	-	0	0	A	3	C	D	2	0



Classification code according to EN 12 209										
3	C	-	0	0	A	3	C	G	2	0

- Sliding door lock ST
- Product line 71 71
- PZ PZ
- keyhole with 1 folding ring key (cuts 1 / 3 / 7) BBS
- WC type WC
- flat rounded forend plate FR
- forend plate width 20 mm 20
- backset size 55 mm 55
- forend plate design - stainless steel non-corroding, precision ground (hook bolt nickel-plated) EST



Mortice plate  
**Art. no. 4240**  
stainless steel non-corroding  
(mortice plate is part of the lock)

### Article identification

- ST 71 PZ FR 20 / 55 EST
- ST 71 BBS FR 20 / 55 EST
- ST 71 WC FR 20 / 55 08 EST